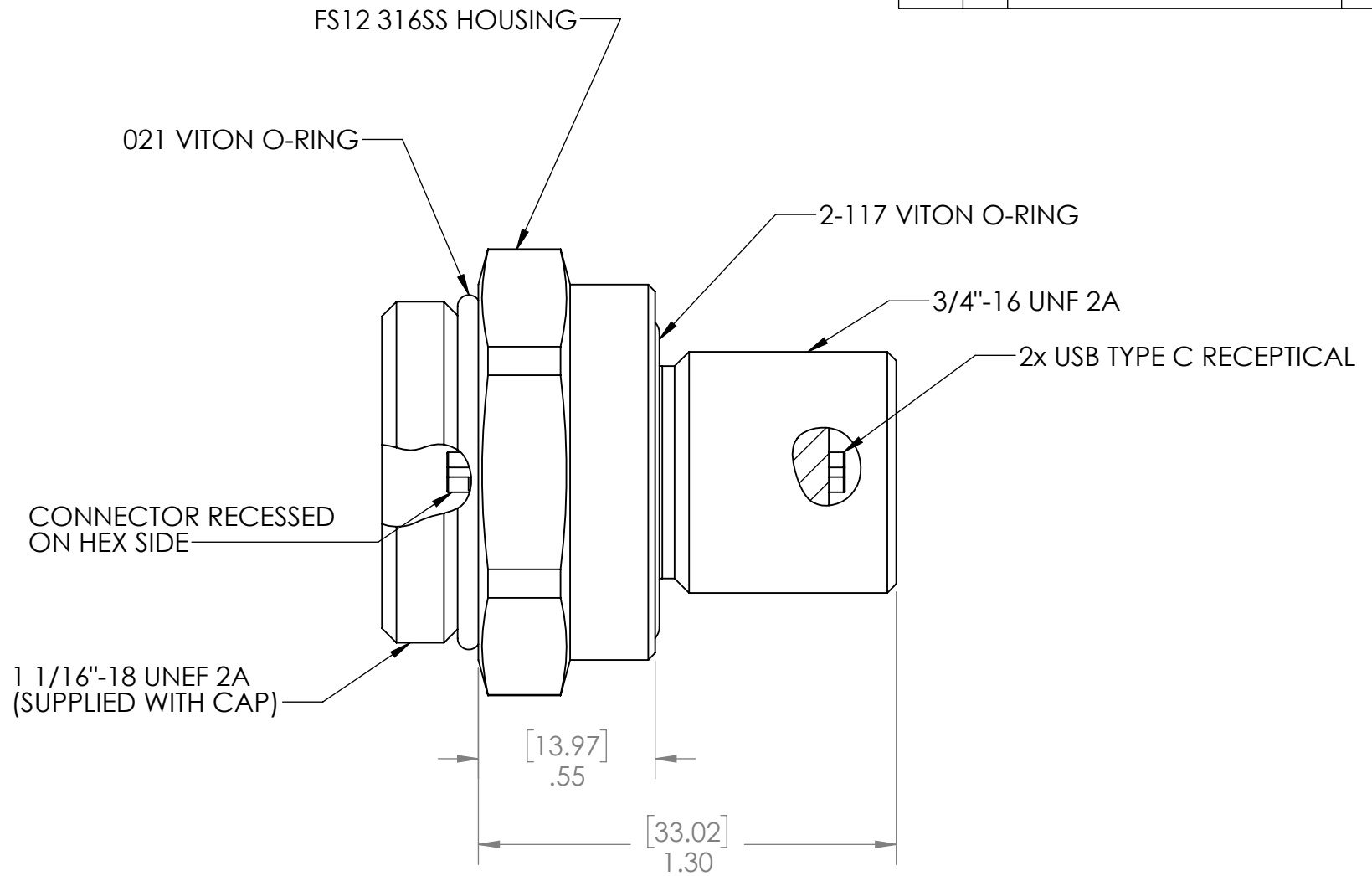
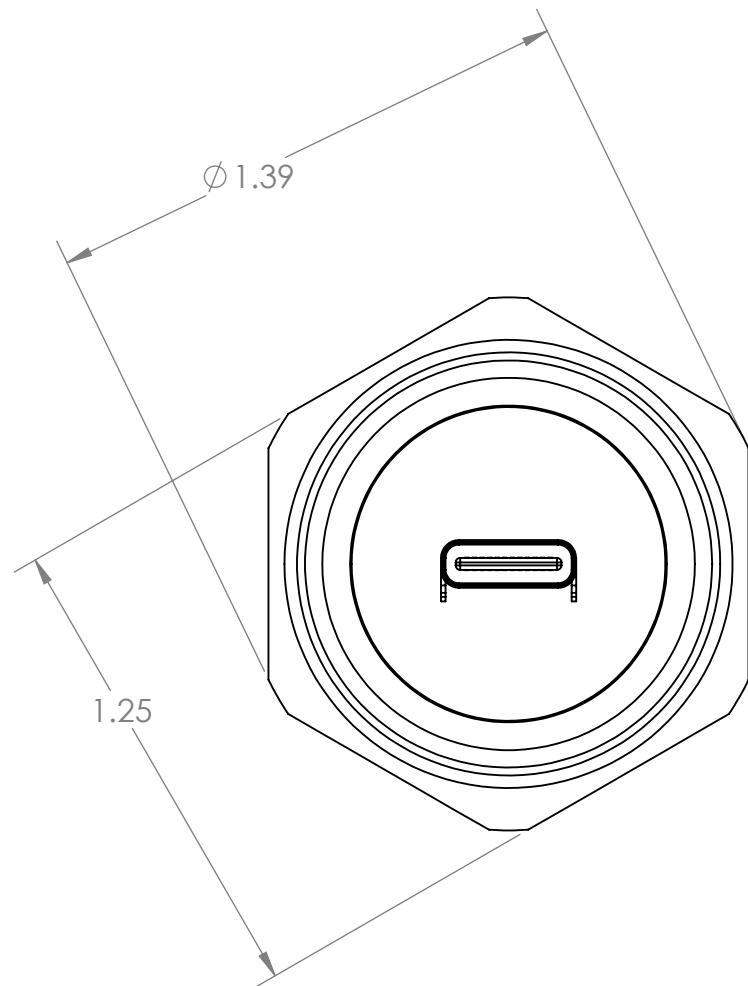


REVISIONS

ZONE	REV.	DESCRIPTION	DATE	APPROVED
	A	INITIAL RELEASE	14Dec2021	MN
	B	RECESSED THREAD SIDE CONNECTOR	23Feb2022	MN



NOTES:

1. PRESSURE LEAK TEST 4351 PSI [300 BAR] THREAD SIDE. NO BUBBLES 3 MINUTES. (TESTED WITH AND WITHOUT CAP)
2. HIPOT 500VDC 500 MEGOHMS 1 SECOND MINIMUM.
3. SEAL OPERATING TEMPERATURE -20C TO 130C.
4. DIMENSIONS ARE INCHES [MILLIMETERS], MILLIMETERS SHOWN FOR REFERENCE ONLY.
5. CUSTOM SIZES, WIRE OR FIBER OPTIC CONFIGURATIONS, & TESTS AVAILABLE, PLEASE CONTACT RHS FOR MORE INFORMATION.

UNLESS OTHERWISE SPECIFIED:		NAME	DATE
DIMENSIONS ARE IN INCHES		DRAWN	KS 14Dec2021
TOLERANCES:		CHECKED	
FRACTIONAL ±1/16		ENG APPR.	MN 14Dec2021
ANGULAR ±.5		MFG APPR.	
X. ±1 .X ±.1		Q.A.	
.XX ±.02 .XXX ±.005		PROPRIETARY AND CONFIDENTIAL	
INTERPRET GEOMETRIC TOLERANCING PER:		THE INFORMATION CONTAINED IN THIS DRAWING IS THE SOLE PROPERTY OF RELIABLE HERMETIC SEALS. ANY REPRODUCTION IN PART OR AS A WHOLE WITHOUT THE WRITTEN PERMISSION OF RELIABLE HERMETIC SEALS IS PROHIBITED.	
MATERIAL		SIZE	DWG. NO.
316 SS		B	60774
FINISH		REV	B
DO NOT SCALE DRAWING		SCALE: 2:1	WEIGHT:
		SHEET 1 OF 1	



TITLE: CONNECTOR SEAL CFS1201
316SS USBC SOCKET-USB SOCKET