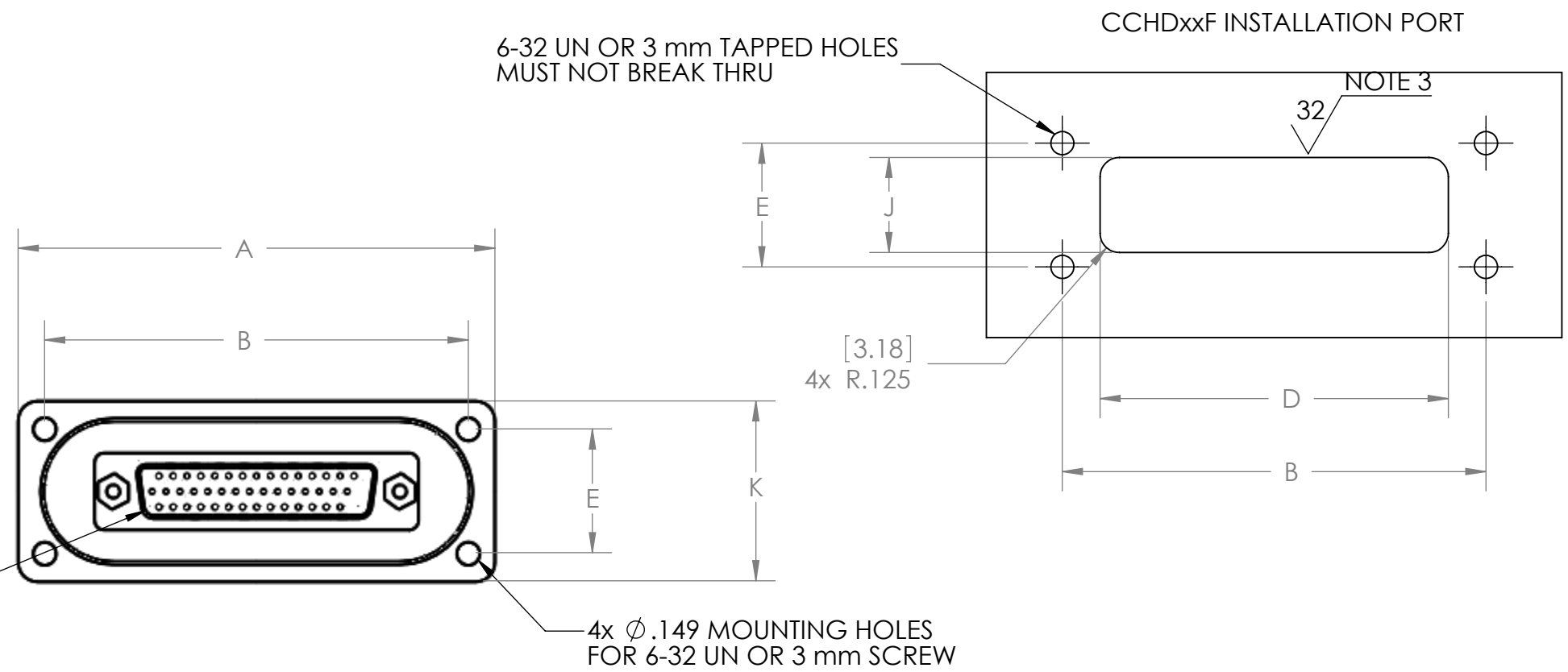
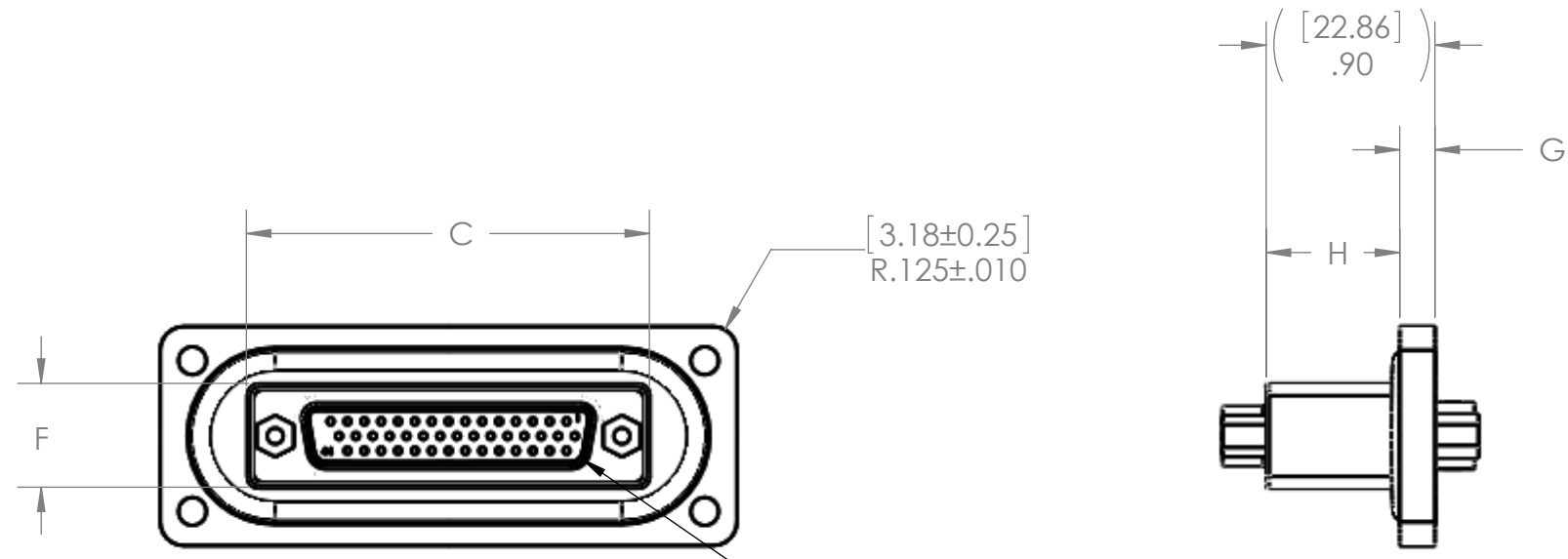
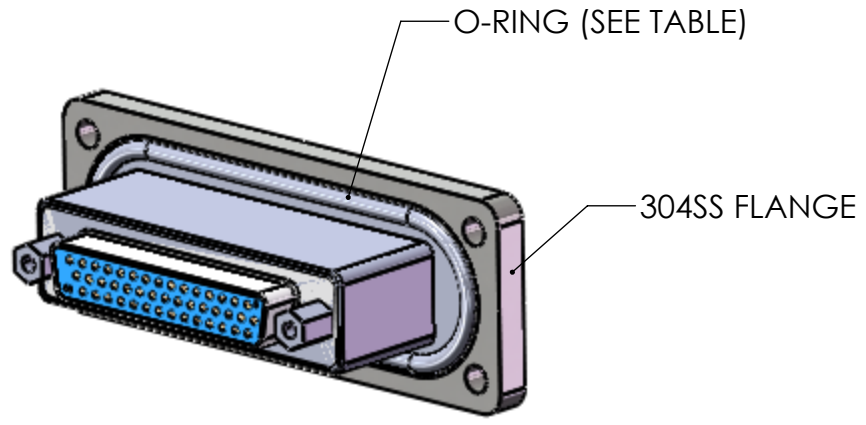


REVISIONS				
ZONE	REV.	DESCRIPTION	DATE	APPROVED
-	A	INITIAL RELEASE	4/26/2016	BS



	A +/- .020 [.51]	B +/- .005 [.13]	C +/- .010 [.25]	D +/- .005 [.13]	E +/- .005 [.13]	F +/- .010 [.25]	G +/- .010 [.25]	H +/- .020 [.51]	J +/- .005 [.13]	K +/- .020 [.51]	O-RING										
15 CONTACTS	2.285	58.04	1.937	49.20	1.270	32.26	1.370	34.80	0.800	20.32	0.550	13.97	0.190	4.83	0.710	18.03	0.615	15.62	1.160	29.46	2-125
26 CONTACTS	2.685	68.20	2.337	59.36	1.600	40.64	1.700	43.18	0.800	20.32	0.550	13.97	0.190	4.83	0.710	18.03	0.615	15.62	1.160	29.46	2-129
44 CONTACTS	3.080	78.23	2.737	69.52	2.150	54.61	2.250	57.15	0.800	20.32	0.550	13.97	0.190	4.83	0.710	18.03	0.615	15.62	1.160	29.46	2-134
62 CONTACTS	3.685	93.60	3.337	84.76	2.790	70.87	2.890	73.41	0.800	20.32	0.550	13.97	0.300	7.62	0.600	15.24	0.615	15.62	1.160	29.46	2-140
78 CONTACTS	3.685	93.60	3.337	84.76	2.700	68.58	2.800	71.12	0.920	23.37	0.670	17.02	0.300	7.62	0.600	15.24	0.735	18.67	1.280	32.51	2-140

- NOTES:
- PART TESTED PER PART NUMBER & HERMETIC SEAL SPECIFICATIONS.
 - CUSTOM SIZES & TESTS AVAILABLE, PLEASE CONTACT RHS FOR MORE INFORMATION.
 - FINISH REQUIRED UNDER FOOTPRINT OF SEAL ONLY.
 - DIMENSIONS ARE INCHES [MM], MM FOR REFERENCE ONLY.

DETERMINING RHS PART#

- O-RING MATERIAL: **A**=POLYACRYLATE, **B**=BUTYL, **C**=CLOROPRENE, **E**=ETHYLENE-PROPYLENE, **G**=STYRENE BUTADIENE, **L**=FLUOROSILICONE, **N**=ACRYLONITRILE BUTADIENE (NITRILE), **P**=POLYURETHANE, **S**=SILICONE, **V**=FLUOROCARBON (VITON), **Y**=EPICHLOROHYDRIN, **Z**=EXOTIC OR SPECIALTY
 - LEAK TESTING: **1**=HELIUM LEAK TEST @ 1 ATM 10X10⁻⁹ STD-CC/SEC OR BETTER, **2**=100 PSI(6.9 BAR) AIR ON O-RING SIDE NO BUBBLES, **3**=250 PSI(17.2 BAR) AIR ON TOP SIDE, OR **4**=HELIUM LEAK TEST @ 1 ATM 5X10⁻⁹ STD-CC/SEC OR BETTER
 - A**=PBT +30% GLASS FIBER INSULATOR, GOLD PLATED COPPER CONTACTS, AND NICKEL PLATED STEEL SHELL, **P**=94V-0 GLASS FILLED NYLON INSULATOR, GOLD PLATED COPPER CONTACTS, AND TIN PLATED STEEL SHELL (AMPLIMITE SERIES HDP-22), OR **S**=DAP INSULATOR, GOLD PLATED COPPER CONTACTS, AND STAINLESS STEEL SHELL
 - 1**=JACKPOSTS TOP SIDE **2**=NO JACKPOSTS TOP SIDE
 - P**=PINS OR **S**=SOCKETS ON TOP SIDE
 - 1**=JACKPOSTS O-RING SIDE **2**=NO JACKPOSTS O-RING SIDE
 - P**=PINS OR **S**=SOCKETS ON O-RING SIDE
 - HDxxF**=FLANGE MOUNT HIGH DENSITY D-SUB, xx IS NUMBER OF CONTACTS
 - CC**=CONNECTOR TO CONNECTOR SEALS
- START HERE
- SAMPLE RHS PART# CCHDxxF-P1S1A1N

HERMETIC SEAL SPECIFICATIONS			
LEAK:	SEE RHS PART#		
ELECTRICAL:	5 AMPS (A VERSION 3 AMPS)		
CURRENT RATING	500 MOhms @ 500 VDC		
INSULATION RESISTANCE TEST	<50 mOhms		
PIN TO PIN RESISTANCE TEST W/MATING CONNECTORS	<50 mOhms		
ENVIRONMENTAL:	-55°C TO 125°C (-67°F TO 257°F)		
TEMPERATURE RANGE (O-RING DEPENDANT)			
UNLESS OTHERWISE SPECIFIED:	NAME	DATE	
DIMENSIONS ARE IN INCHES	DRAWN	MM	4/26/2016
TOLERANCES:	CHECKED	BS	4/26/2016
FRACTIONAL ±1/16	ENG APPR.		
ANGULAR ±.5	MFG APPR.		
X: ±1 X: ±1	Q.A.		
.XX ±.02 .XXX ±.005	PROPRIETARY AND CONFIDENTIAL		
(mm) FOR REFERENCE ONLY	THE INFORMATION CONTAINED IN THIS DRAWING IS THE SOLE PROPERTY OF RELIABLE HERMETIC SEALS. ANY REPRODUCTION IN PART OR AS A WHOLE WITHOUT THE WRITTEN PERMISSION OF RELIABLE HERMETIC SEALS IS PROHIBITED.		
INTERPRET GEOMETRIC TOLERANCING PER:	NOTED		
MATERIAL:			
FINISH:			
DO NOT SCALE DRAWING			

RELIABLE HERMETIC SEALS
Jersey City, NJ, USA 888-747-3250

TITLE: D-SUB FLANGE STYLE

SIZE DWG. NO. REV
C CCHDxxF **A**

SCALE: 1:1 WEIGHT: SHEET 1 OF 1