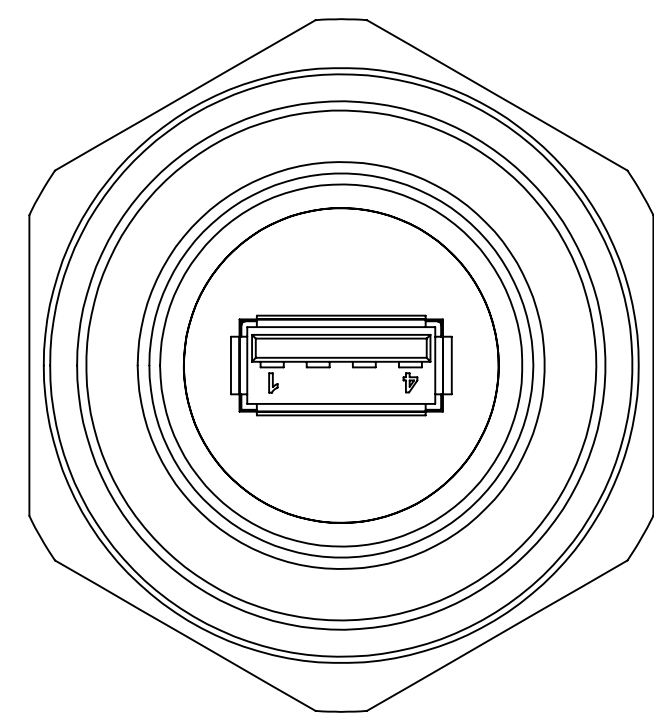
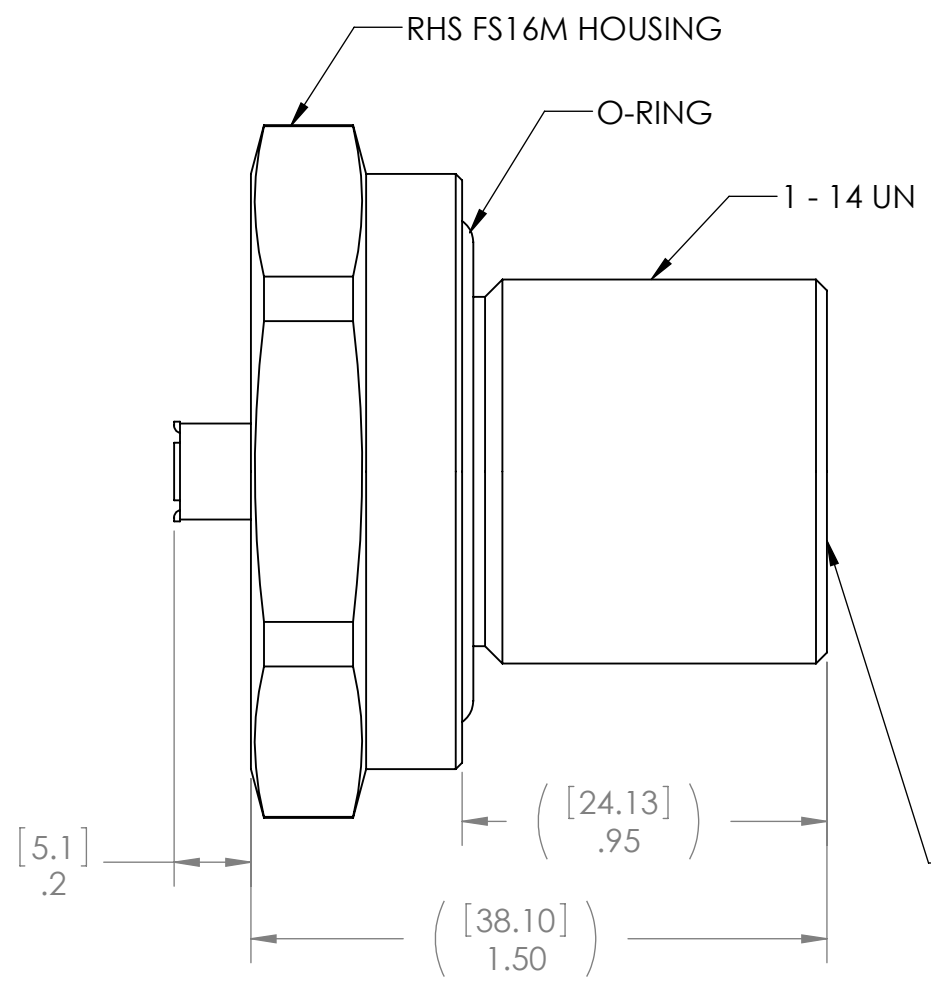
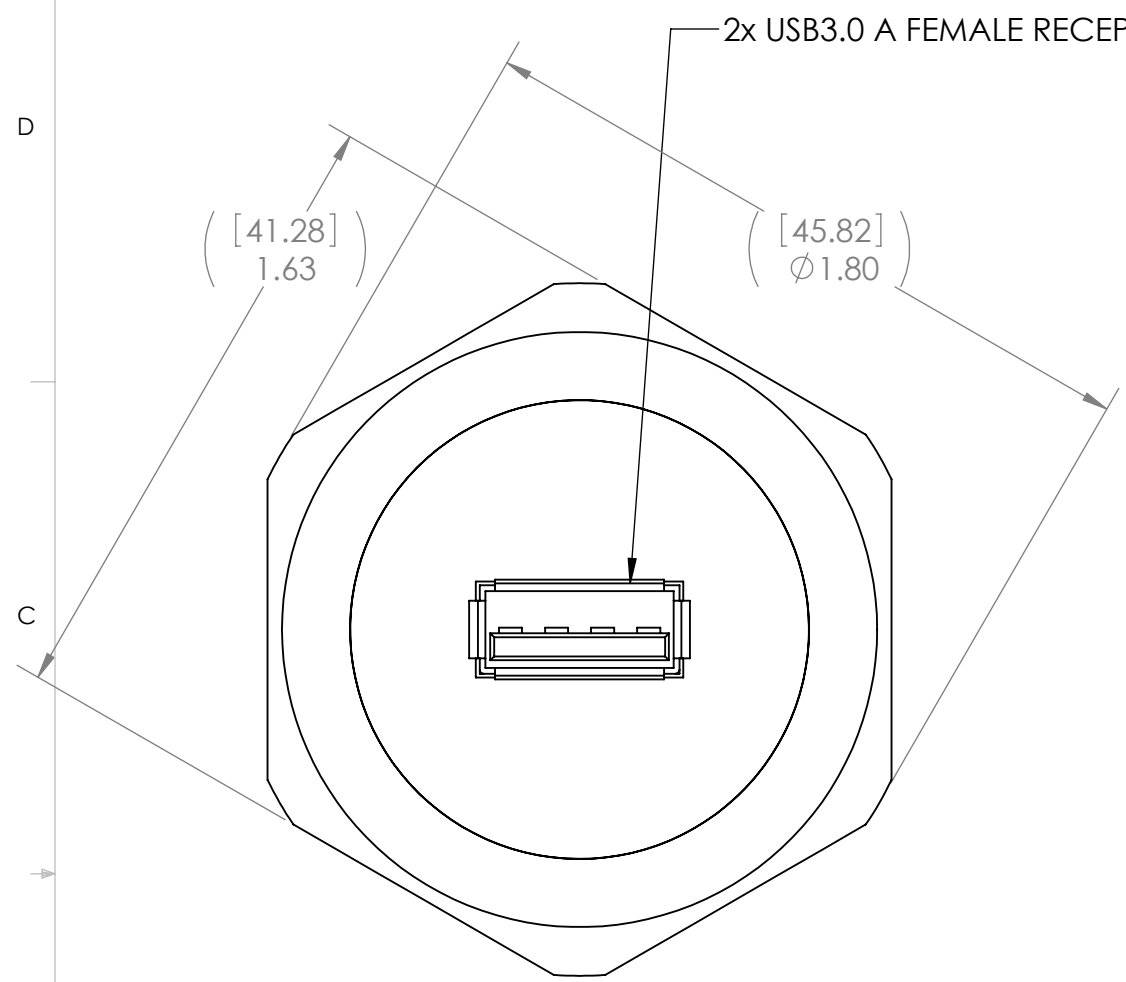


**RoHS COMPLIANT**


REVISIONS				
ZONE	REV.	DESCRIPTION	DATE	APPROVED
	A	INITIAL RELEASE	02-Feb-19	MN
	B	INSERTED NOTE 3 - SUPPLIED NUT	18-Aug-20	MN



CONNECTOR FLUSH WITH HOUSING END THIS SIDE

PINOUT	
HEX SIDE	THREAD SIDE
VBUS PIN 1	VBUS PIN 1
D- PIN 2	D- PIN 2
D+ PIN 3	D+ PIN 3
GROUND PIN 4	GROUND PIN 4
RECEIVE- PIN 5	SEND- PIN 8
RECEIVE+ PIN 6	SEND+ PIN 9
GROUND PIN 7	GROUND PIN 7
SEND- PIN 8	RECEIVE- PIN 5
SEND+ PIN 9	RECEIVE+ PIN 6
SHIELD	SHIELD

- NOTES:
1. HELIUM LEAK TEST @ 1 ATM 1X10<sup>-8</sup> STD-CC/SEC OR BETTER, VACUUM ON THREAD SIDE.
  2. HYPOT 100VDC 100 MEGOHMS 1 SECOND MINIMUM.
  3. ASSEMBLY SUPPLIED WITH JAM NUT. FLATS=1.25[31.8] THICKNESS=0.30[7.6]
  4. SEAL OPERATING TEMPERATURE -20C TO 130C (CONNECTOR 85C MAXIMUM).
  5. DIMENSIONS ARE INCHES [MILLIMETERS], MILLIMETERS SHOWN FOR REFERENCE ONLY.
  6. CUSTOM SIZES, WIRE OR FIBER OPTIC CONFIGURATIONS, & TESTS AVAILABLE, PLEASE CONTACT RHS FOR MORE INFORMATION.

UNLESS OTHERWISE SPECIFIED: DIMENSIONS ARE IN INCHES TOLERANCES: FRACTIONAL ±1/16 ANGULAR ±.5 X. ±1 .X ±.1 .XX ±.02 .XXX ±.005 DIMENSIONS ARE SUBJECT TO CHANGE WITHOUT NOTICE	NAME	DATE		
	DRAWN	MM		02FEB2109
	CHECKED			
	ENG APPR.	MM		02FEB2109
INTERPRET GEOMETRIC TOLERANCING PER:	Q.A.		TITLE:	
MATERIAL	<b>PROPRIETARY AND CONFIDENTIAL</b> THE INFORMATION CONTAINED IN THIS DRAWING IS THE SOLE PROPERTY OF RELIABLE HERMETIC SEALS. ANY REPRODUCTION IN PART OR AS A WHOLE WITHOUT THE WRITTEN PERMISSION OF RELIABLE HERMETIC SEALS IS PROHIBITED.		CONNECTOR SEAL FS16 1-14X.95 316SS USB3.0-USB3.0 HIGH SPEED	
FINISH	NOTED		SIZE	
DO NOT SCALE DRAWING	N/A		DWG. NO. <b>B</b> 80174 REV <b>B</b>	
			SCALE: 2:1	
			WEIGHT:	
			SHEET 1 OF 1	