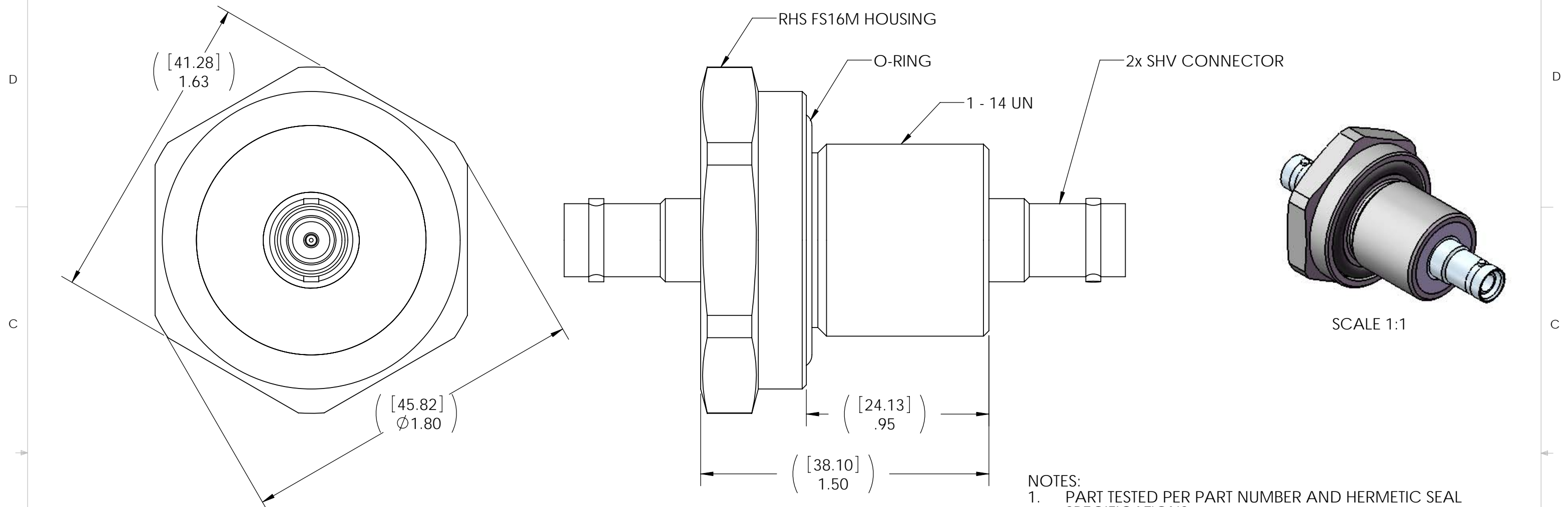


RoHS COMPLIANT

REVISIONS				
ZONE	REV.	DESCRIPTION	DATE	APPROVED




- NOTES:
- PART TESTED PER PART NUMBER AND HERMETIC SEAL SPECIFICATIONS.
 - CUSTOM SIZES, MATERIALS, & TESTS AVAILABLE, PLEASE CONTACT RHS FOR MORE INFORMATION.
 - DIMENSIONS INCHES [MILLIMETERS], MILLIMETERS SHOWN FOR REFERENCE ONLY.

SAMPLE RHS PART#CCSHVFS16-SA130V1

DETERMINING RHS PART#

- **CC**=CONNECTOR TO CONNECTOR SEALS
- **SHV**=STANDARD SHV CONNECTORS
- **FS16**=STANDARD RHS FACE SEAL HOUSING WITH 1 - 14 UN THREAD
- **S**=.45 LONG THREAD OR **M**=.95 LONG THREAD
- **HOUSING MATERIAL:**
S6=316 STAINLESS STEEL, **A1**=6016 ALUMINUM, **B1**=BRASS, **I6**=600 INCOLNEL, OR **T2**=GRADE 2 TITANIUM
- **LEAK TESTING:**
 - **1**=HELIUM LEAK TEST @ 1 ATM 10X10⁻⁸ STD-CC/SEC OR BETTER
 - **2**=100 PSI(6.9 BAR) AIR ON THREAD SIDE OF O-RING NO BUBBLES
 - **3**=100 PSI(6.9 BAR) AIR ON HEX SIDE OF O-RING NO BUBBLES
 - **4**=1000 PSI(69 BAR) AIR ON THREAD SIDE OF O-RING NO BUBBLES
 - **5**=1000 PSI(69 BAR) AIR ON HEX SIDE OF O-RING NO BUBBLES
 - **6**=2500 PSI(172 BAR) AIR ON THREAD SIDE OF O-RING NO BUBBLES
 - **7**=5000 PSI(345 BAR) AIR ON HEX SIDE OF O-RING NO BUBBLES
 - **8**=3500 PSI(243 BAR) AIR ON THREAD SIDE OF O-RING NO BUBBLES & HELIUM LEAK TEST @ 1 ATM 10x10⁻⁹ STD-CC/SEC OR BETTER
 - **9**=HELIUM LEAK TEST @ 1 ATM 10X10⁻⁹ STD-CC/SEC OR BETTER
- **0**=SHV BODY ISOLATED FROM HOUSING OR **1**=SHV BODY CONNECTED (SHORTED) TO HOUSING <200mOhms
- **O-RING MATERIAL:**
A=POLYACRYLATE, **B**=BUTYL, **C**=CLOROPRENE, **E**=ETHYLENE-PROPYLENE, **G**=STYRENE BUTADIENE, **L**=FLUOROSILICONE, **N**=ACRYLONITRILE BUTADIENE (NITRILE), **P**=POLYURETHANE, **S**=SILICONE, **V**=FLUOROCARBON (VITON), **Y**=EPICHLOROHYDRIN, **Z**=EXOTIC OR SPECIALTY
- **0**=ASSEMBLY SHIPPED WITH JAM NUT OR **1**=ASSEMBLY SHIPPED W/O JAM NUT

HERMETIC SEAL SPECIFICATIONS	
LEAK:	
LEAK TEST	SEE RHS PART#
ELECTRICAL:	
IMPEDANCE	50 Ohms
INSULATION RESISTANCE TEST (CONDUCTOR TO CONDUCTOR)	>500 MOhms @ 500 VDC
CONDUCTOR END TO END RESISTANCE TEST	<50 mOhms
ENVIRONMENTAL:	
TEMPERATURE RANGE (O-RING DEPENDANT)	-55 °C TO 125 °C (-67 °F TO 221 °F)

UNLESS OTHERWISE SPECIFIED: DIMENSIONS ARE IN INCHES TOLERANCES: FRACTIONAL ±1/16 ANGULAR ±.5 X ±1 X ±1 .XX ±.02 .XXX ±.005 DIMENSIONS ARE SUBJECT TO CHANGE WITHOUT NOTICE	DRAWN	NAME	DATE	 RELIABLE HERMETIC SEALS Jersey City, NJ, USA 888-747-3250	
	CHECKED	BS	7/15/2010		
	ENG APPR.				
	MFG APPR.				
INTERPRET GEOMETRIC TOLERANCING PER:	Q.A.			TITLE: HERMETIC CONNECTOR SHV	
MATERIAL SEE PART#	PROPRIETARY AND CONFIDENTIAL THE INFORMATION CONTAINED IN THIS DRAWING IS THE SOLE PROPERTY OF RELIABLE HERMETIC SEALS. ANY REPRODUCTION IN PART OR AS A WHOLE WITHOUT THE WRITTEN PERMISSION OF RELIABLE HERMETIC SEALS IS PROHIBITED.		SIZE B	DWG. NO. CCSHVFS16	REV
FINISH N/A	DO NOT SCALE DRAWING		SCALE: 2:1	WEIGHT:	SHEET 1 OF 1