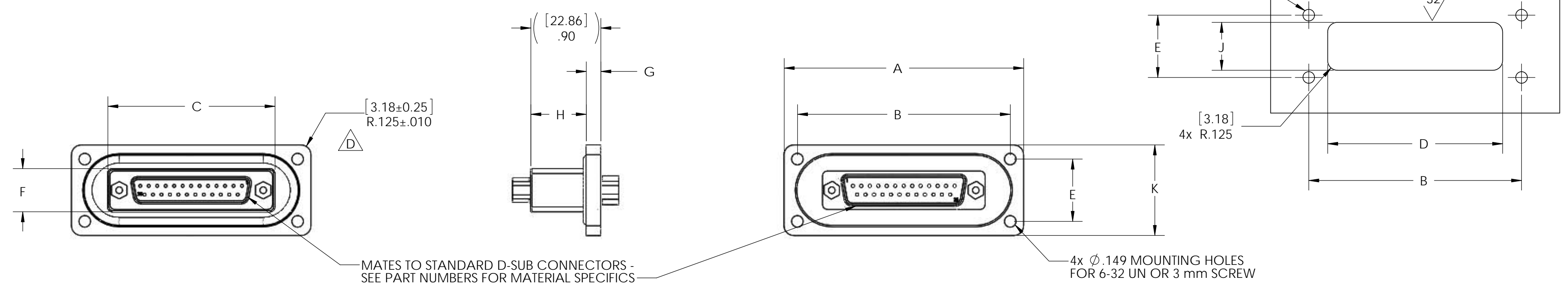
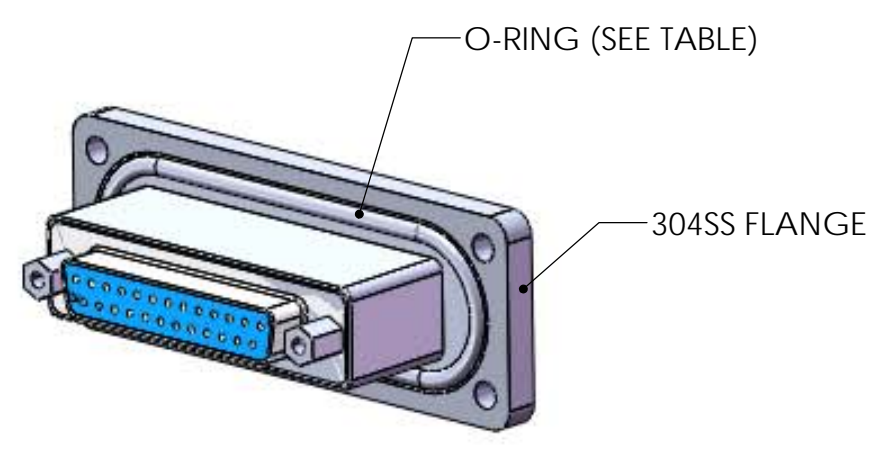


REVISIONS				
ZONE	REV.	DESCRIPTION	DATE	APPROVED
8A	A	ADDED (MIL-C-24308 SERIES 109)	8/18/2010	BS
3D	B	ADDED O-RING SIZE COLUMN	8/22/2010	BS
8B	C	ADDED OPTION 4 - 5x10^-9 CC/SEC HELIUM LEAK TEST	2/8/2011	BS
7E	D	ADDED RADIUS DIMENSION TO FLANGE & UPDATED 50 PIN O-RING	7/13/2012	BS
8B	E	CORRECTED "A" VERSION SHELL MATERIAL	8/10/2014	BS

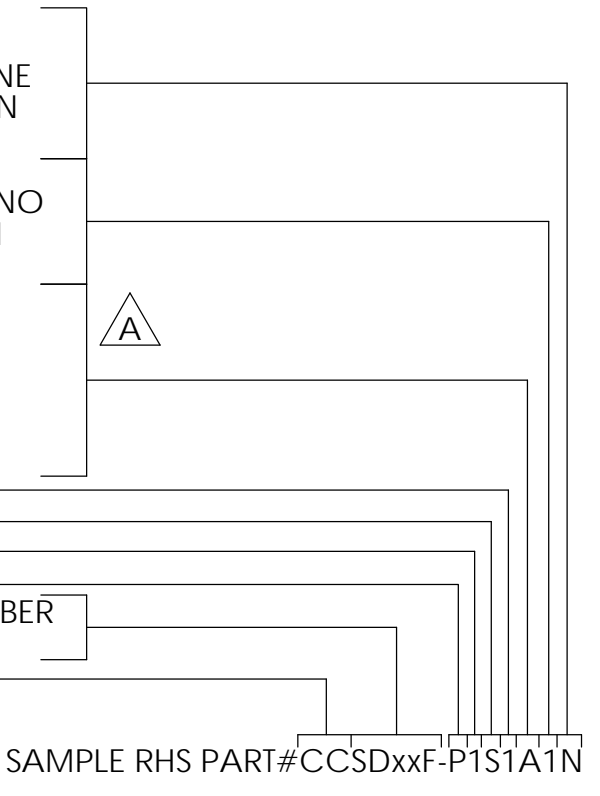


	A +/- .020 [.51]	B +/- .005 [.13]	C +/- .010 [.25]	D +/- .005 [.13]	E +/- .005 [.13]	F +/- .010 [.25]	G +/- .010 [.25]	H +/- .020 [.51]	J +/- .005 [.13]	K +/- .020 [.51]	O-RING										
9 CONTACTS	2.285	58.04	1.937	49.20	1.270	32.26	1.370	34.80	0.800	20.32	0.550	13.97	0.190	4.83	0.710	18.03	0.615	15.62	1.160	29.46	2-125
15 CONTACTS	2.685	68.20	2.337	59.36	1.600	40.64	1.700	43.18	0.800	20.32	0.550	13.97	0.190	4.83	0.710	18.03	0.615	15.62	1.160	29.46	2-129
25 CONTACTS	3.080	78.23	2.737	69.52	2.150	54.61	2.250	57.15	0.800	20.32	0.550	13.97	0.190	4.83	0.710	18.03	0.615	15.62	1.160	29.46	2-134
37 CONTACTS	3.685	93.60	3.337	84.76	2.790	70.87	2.890	73.41	0.800	20.32	0.550	13.97	0.300	7.62	0.600	15.24	0.615	15.62	1.160	29.46	2-140
50 CONTACTS	3.685	93.60	3.337	84.76	2.700	68.58	2.800	71.12	0.920	23.37	0.670	17.02	0.300	7.62	0.600	15.24	0.735	18.67	1.280	32.51	2-140

- NOTES:
- PART TESTED PER PART NUMBER & HERMETIC SEAL SPECIFICATIONS.
  - CUSTOM SIZES & TESTS AVAILABLE, PLEASE CONTACT RHS FOR MORE INFORMATION.
  - FINISH REQUIRED UNDER FOOTPRINT OF SEAL ONLY.
  - DIMENSIONS ARE INCHES [MM], MM FOR REFERENCE ONLY.

**DETERMINING RHS PART#**

- O-RING MATERIAL: A=POLYACRYLATE, B=BUTYL, C=CLOROPRENE, E=ETHYLENE-PROPYLENE, G=STYRENE BUTADIENE, L=FLUROSILICONE, N=ACRYLONITRILE BUTADIENE (NITRILE), P=POLYURETHANE, S=SILICONE, V=FLUOROCARBON (VITON), Y=EPICHLOROHYDRIN, Z=EXOTIC OR SPECIALTY
- LEAK TESTING: 1=HELIUM LEAK TEST @ 1 ATM 10X10^-9 STD-CC/SEC OR BETTER, 2=100 PSI(6.9 BAR) AIR ON O-RING SIDE NO BUBBLES, 3=250 PSI(17.2 BAR) AIR ON TOP SIDE, OR 4=HELIUM LEAK TEST @ 1 ATM 5X10^-9 STD-CC/SEC OR BETTER
- A=PBT +30% GLASS FIBER INSULATOR, GOLD PLATED COPPER CONTACTS, AND NICKEL PLATED STEEL SHELL, P=PBT +30% GLASS FIBER INSULATOR, GOLD PLATED COPPER CONTACTS, AND ZINC PLATED STEEL SHELL (MIL-C-24308 SERIES 109), OR S=DAP INSULATOR, GOLD PLATED COPPER CONTACTS, AND STAINLESS STEEL SHELL
- 1=JACKPOSTS TOP SIDE 2=NO JACKPOSTS TOP SIDE
- P=PINS OR S=SOCKETS ON TOP SIDE
- 1=JACKPOSTS O-RING SIDE 2=NO JACKPOSTS O-RING SIDE
- P=PINS OR S=SOCKETS ON O-RING SIDE
- SDxxF=FLANGE MOUNT STANDARD DENSITY D-SUB, xx IS NUMBER OF CONTACTS
- CC=CONNECTOR TO CONNECTOR SEALS



HERMETIC SEAL SPECIFICATIONS			
LEAK:	SEE RHS PART#		
ELECTRICAL:			
CURRENT RATING	5 AMPS (A VERSION 3 AMPS)		
INSULATION RESISTANCE TEST	500 MOhms @ 500 VDC		
PIN TO PIN RESISTANCE TEST W/MATING CONNECTORS	<50 mOhms		
ENVIRONMENTAL:			
TEMPERATURE RANGE (O-RING DEPENDANT)	-55 °C TO 125 °C (-67 °F TO 257 °F)		
UNLESS OTHERWISE SPECIFIED:	NAME	DATE	
DIMENSIONS ARE IN INCHES	DRAWN	MM	8/16/2010
TOLERANCES:	CHECKED	BS	8/16/2010
FRACTIONAL ±1/16	ENG APPR.		
ANGULAR ±5	MFG APPR.		
X ±1 X ±1			
XX ±02 XXX ±005			
(mm) FOR REFERENCE ONLY			
INTERPRET GEOMETRIC TOLERANCING PER:	C.A.		
MATERIAL:	PROPRIETARY AND CONFIDENTIAL		
FINISH:	THE INFORMATION CONTAINED IN THIS DRAWING IS THE SOLE PROPERTY OF RELIABLE HERMETIC SEALS. ANY REPRODUCTION IN PART OR AS A WHOLE WITHOUT THE WRITTEN PERMISSION OF RELIABLE HERMETIC SEALS IS PROHIBITED.		
DO NOT SCALE DRAWING			

**RELIABLE HERMETIC SEALS**  
Jersey City, NJ, USA 888-747-3250

TITLE: D-SUB FLANGE STYLE		
SIZE: C	DWG. NO.: CCSDxxF	REV: E
SCALE: 1:1	WEIGHT:	SHEET 1 OF 1

START HERE