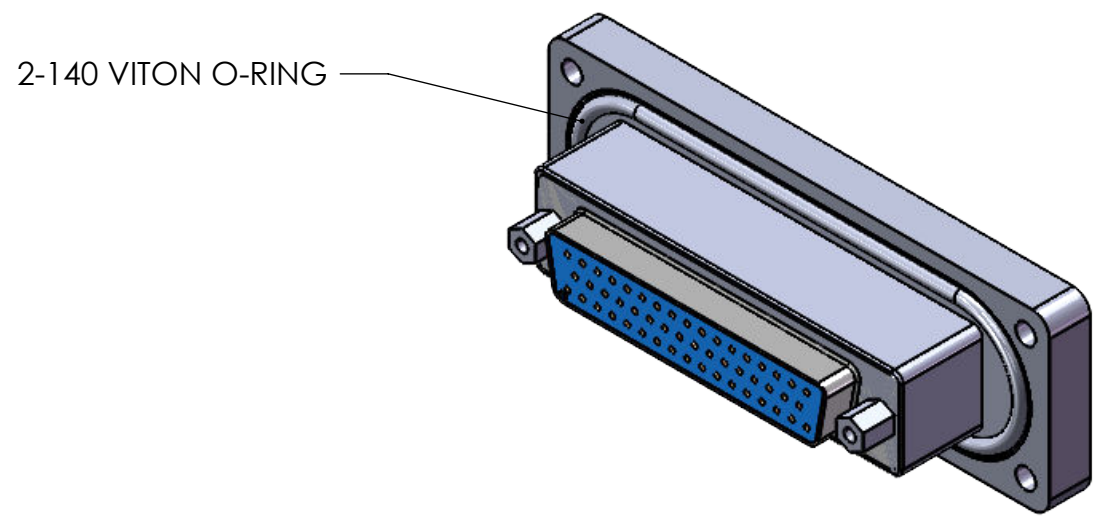


8 7 6 5 4 3 2 1



2-140 VITON O-RING

REVISIONS				
ZONE	REV.	DESCRIPTION	DATE	APPROVED
	A	INITIAL RELEASE	04Nov2021	MN

D

D

C

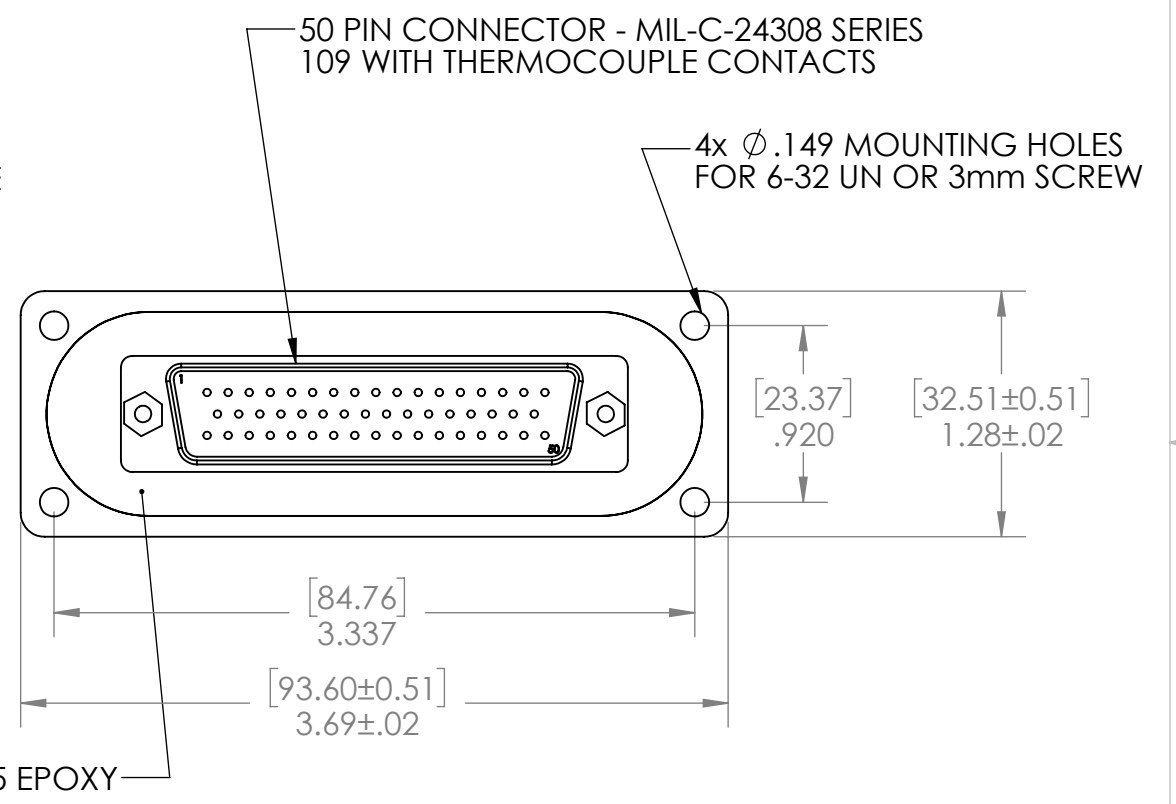
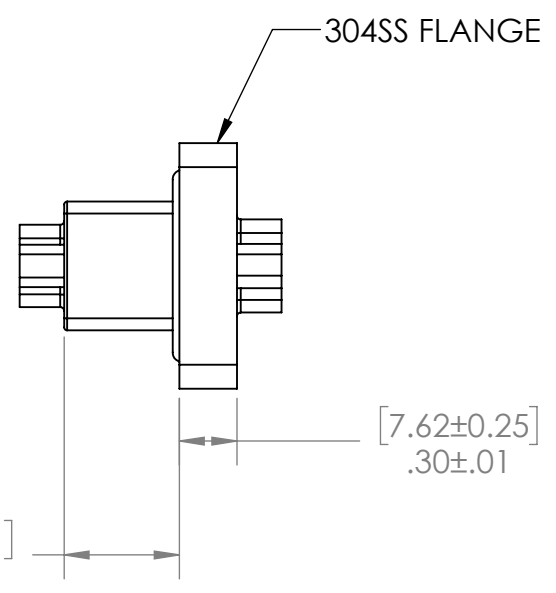
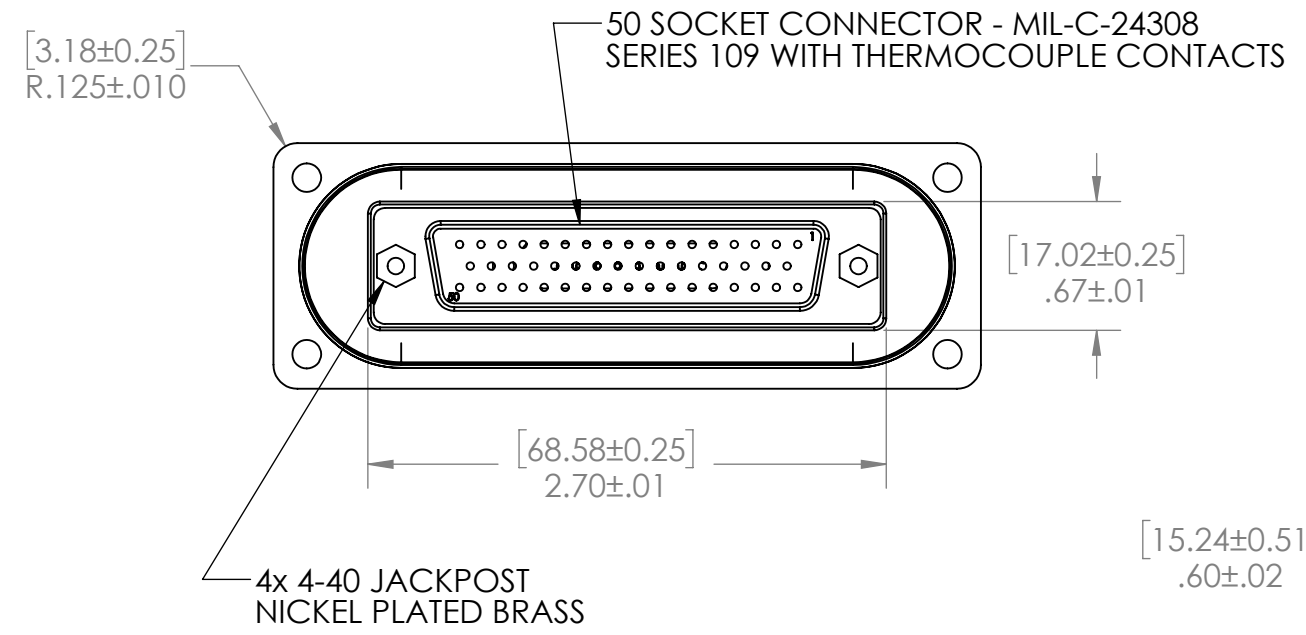
C

B

B

A

A



NOTES:

1. ODD CIRCUITS 1, 3, 5, ...49 WITH COPPER(+) CONTACTS AND WIRE. EVEN CIRCUITS 2, 4, 6, ...50 WITH CONSTANTIN(-) CONTACTS AND WIRE.
2. CONNECTORS ARE WIRED 1 TO 1, 2 TO 2, ETC.
3. HELIUM LEAK TEST @ 1 ATM 1X10⁻⁸ STD-CC/SEC OR BETTER, VACUUM ON O-RING SIDE.
4. HYPOT 500VDC 500 MEGOHMS .01 SECOND MINIMUM.
5. CONTINUITY TEST <3 Ohms CONNECTOR SHELL TO CONNECTOR SHELL (ISOLATED FROM SS FLANGE).
6. SEAL OPERATING TEMPERATURE -20C TO 130C.
7. SEE DRAWING CCSDxxF (50 PIN) FOR BULKHEAD CUTOUT.
8. DIMENSIONS ARE INCHES [MILLIMETERS], MILLIMETERS SHOWN FOR REFERENCE ONLY.
9. CUSTOM SIZES, WIRE OR FIBER OPTIC CONFIGURATIONS, & TESTS AVAILABLE, PLEASE CONTACT RHS FOR MORE INFORMATION.

UNLESS OTHERWISE SPECIFIED:	NAME	DATE
DIMENSIONS ARE IN INCHES	DRAWN	KS 04Nov2021
TOLERANCES:	CHECKED	
FRACTIONAL ±1/16	ENG APPR.	MN 04Nov2021
ANGULAR ±.5	MFG APPR.	
X. ±1 .X ±.1	Q.A.	
.XX ±.02 .XXX ±.005	PROPRIETARY AND CONFIDENTIAL	
INTERPRET GEOMETRIC TOLERANCING PER:	THE INFORMATION CONTAINED IN THIS DRAWING IS THE SOLE PROPERTY OF RELIABLE HERMETIC SEALS. ANY REPRODUCTION IN PART OR AS A WHOLE WITHOUT THE WRITTEN PERMISSION OF RELIABLE HERMETIC SEALS IS PROHIBITED.	
MATERIAL	SEE ABOVE	
FINISH		
DO NOT SCALE DRAWING		



TITLE: CONNECTOR SEAL CCSD50F-S1P1S1V TYPE T		
SIZE B	DWG. NO. 80360	REV A
SCALE: 1:1	WEIGHT:	SHEET 1 OF 1

8 7 6 5 4 3 2 1