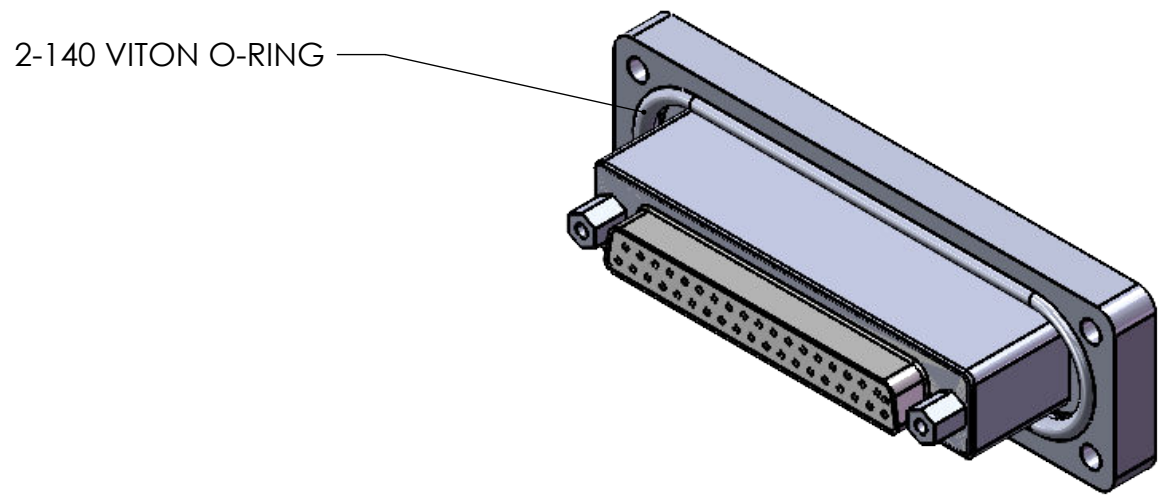


8 7 6 5 4 3 2 1



REVISIONS				
ZONE	REV.	DESCRIPTION	DATE	APPROVED
	A	INITIAL RELEASE	04Nov2021	MN

D

D

C

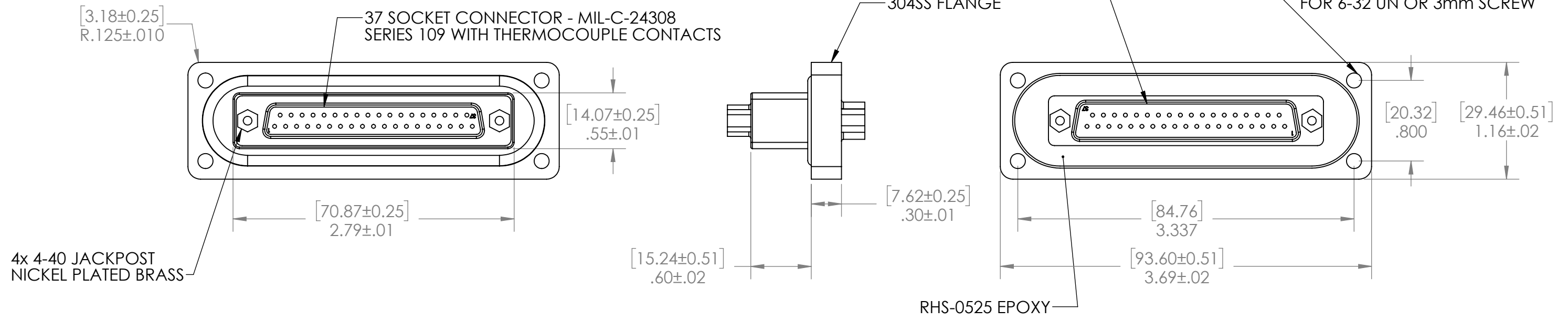
C

B

B

A

A



- NOTES:
1. ODD CIRCUITS 1, 3, 5, ...37 WITH COPPER CONTACTS AND WIRE. EVEN CIRCUITS 2, 4, 6, ...36 WITH CONSTANTAN CONTACTS AND WIRE.
 2. HELIUM LEAK TEST @ 1 ATM 1X10⁻⁸ STD-CC/SEC OR BETTER, VACUUM ON O-RING SIDE.
 3. HYPOT 500VDC 500 MEGOHMS .01 SECOND MINIMUM.
 4. SEAL OPERATING TEMPERATURE -20C TO 130C.
 5. SEE DRAWING CCSDxxF (37 PIN) FOR BULKHEAD CUTOUT.
 6. DIMENSIONS ARE INCHES [MILLIMETERS], MILLIMETERS SHOWN FOR REFERENCE ONLY.
 7. CUSTOM SIZES, WIRE OR FIBER OPTIC CONFIGURATIONS, & TESTS AVAILABLE, PLEASE CONTACT RHS FOR MORE INFORMATION.

UNLESS OTHERWISE SPECIFIED:	NAME	DATE		
DIMENSIONS ARE IN INCHES	DRAWN	KS		04Nov2021
TOLERANCES:	CHECKED			
FRACTIONAL ±1/16	ENG APPR.	MN		04Nov2021
ANGULAR ±.5	MFG APPR.			
X. ±1 .X ±.1	Q.A.			
.XX ±.02 .XXX ±.005	PROPRIETARY AND CONFIDENTIAL THE INFORMATION CONTAINED IN THIS DRAWING IS THE SOLE PROPERTY OF RELIABLE HERMETIC SEALS. ANY REPRODUCTION IN PART OR AS A WHOLE WITHOUT THE WRITTEN PERMISSION OF RELIABLE HERMETIC SEALS IS PROHIBITED.		TITLE: CONNECTOR SEAL CCSD37F-S1P1V1V TYPET	
INTERPRET GEOMETRIC TOLERANCING PER:	SIZE	DWG. NO.	REV	
MATERIAL	B	80359	A	
FINISH	SCALE: 1:1	WEIGHT:	SHEET 1 OF 1	
DO NOT SCALE DRAWING				

8 7 6 5 4 3 2 1