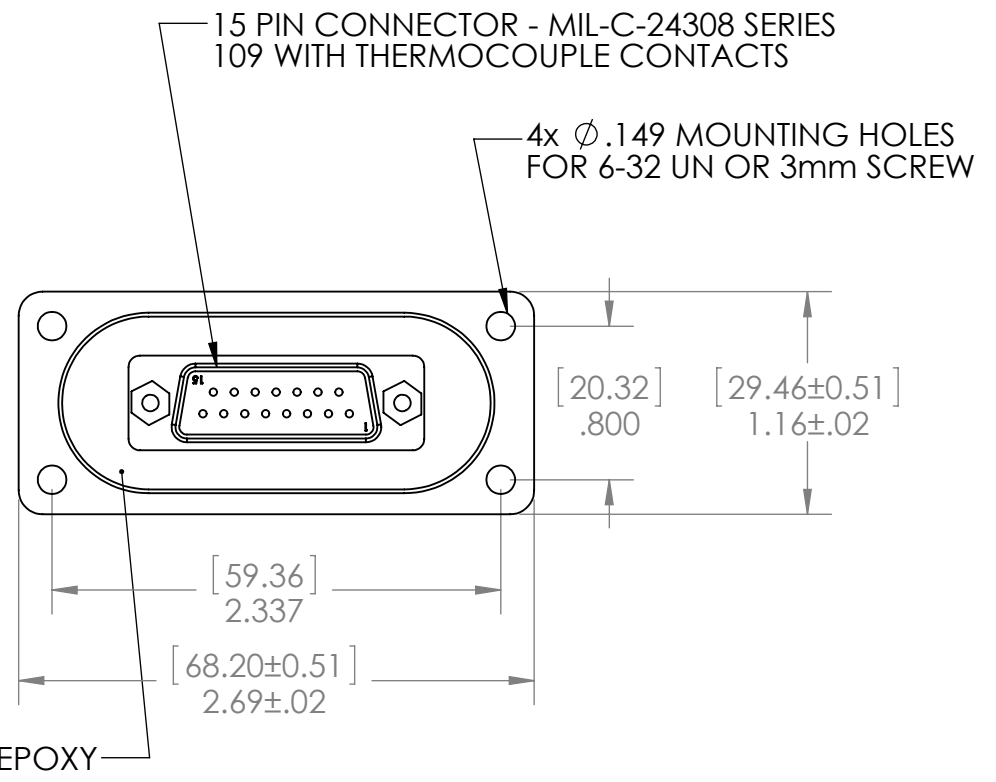
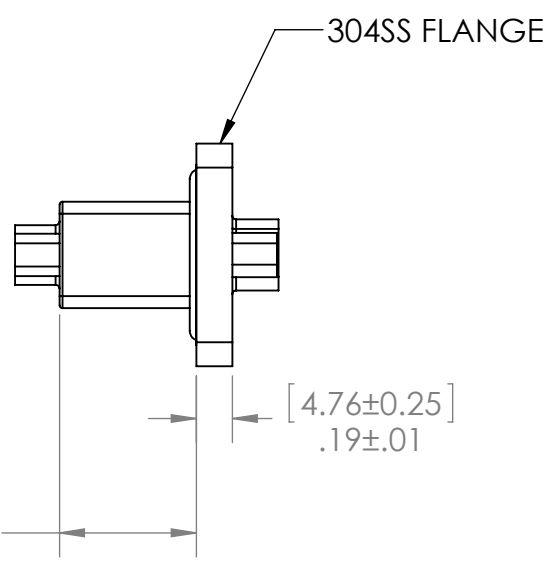
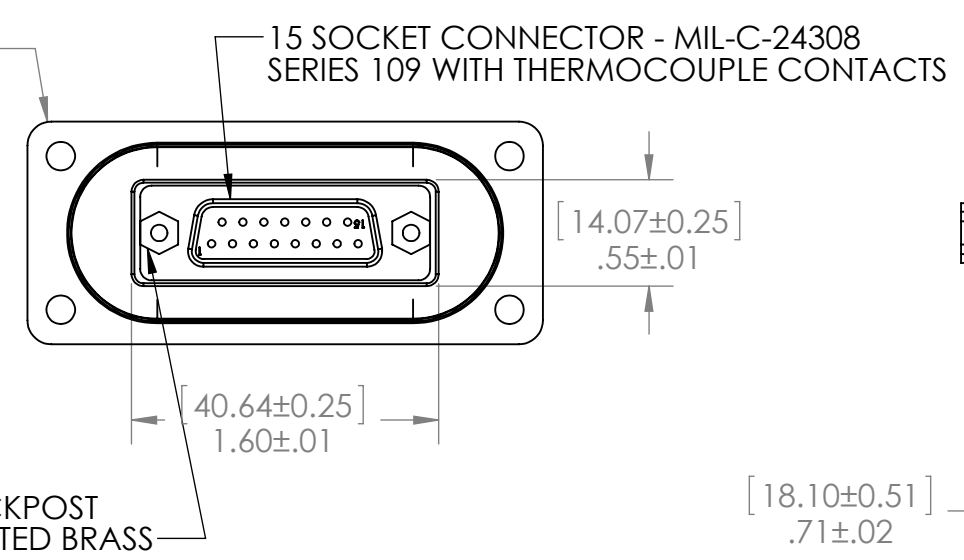
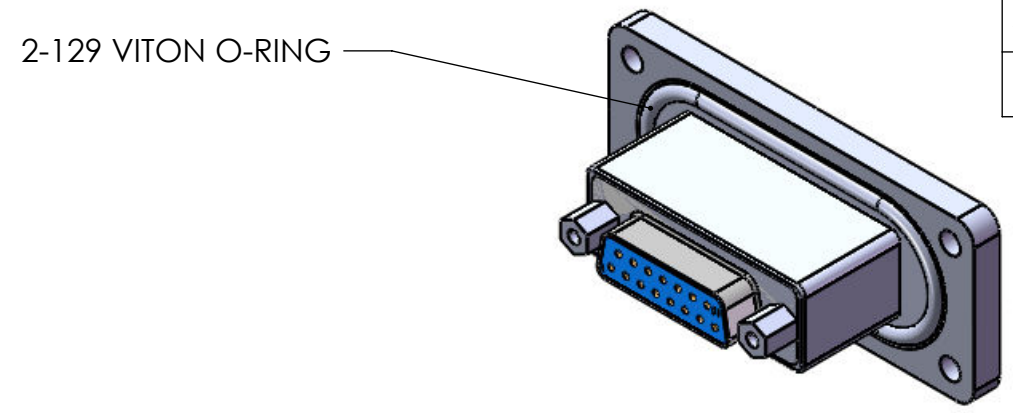


8 7 6 5 4 3 2 1

REVISIONS				
ZONE	REV.	DESCRIPTION	DATE	APPROVED
	A	INITIAL RELEASE	08-Sep-20	MN



- NOTES:
1. ODD CIRCUITS 1, 3, 5, ...15 WITH COPPER(+) CONTACTS AND WIRE. EVEN CIRCUITS 2, 4, 6, ...14 WITH CONSTANTIN(-) CONTACTS AND WIRE.
 2. HELIUM LEAK TEST @ 1 ATM 1X10⁻⁸ STD-CC/SEC OR BETTER, VACUUM ON O-RING SIDE.
 3. HYPOT 500VDC 500 MEGOHMS .01 SECOND MINIMUM.
 4. CONTINUITY TEST <3 Ohms CONNECTOR SHELL TO CONNECTOR SHELL (ISOLATED FROM SS FLANGE).
 5. SEAL OPERATING TEMPERATURE -20C TO 130C.
 6. SEE DRAWING CCSDxxF (15 PIN) FOR BULKHEAD CUTOUT.
 7. DIMENSIONS ARE INCHES [MILLIMETERS], MILLIMETERS SHOWN FOR REFERENCE ONLY.
 8. CUSTOM SIZES, WIRE OR FIBER OPTIC CONFIGURATIONS, & TESTS AVAILABLE, PLEASE CONTACT RHS FOR MORE INFORMATION.

UNLESS OTHERWISE SPECIFIED:	NAME	DATE	<p>RHSeals RELIABLE HERMETIC SEALS</p>	
DIMENSIONS ARE IN INCHES	DRAWN	MM		08SEP2020
TOLERANCES:	CHECKED			
FRACTIONAL ±1/16	ENG APPR.	MN		08SEP2020
ANGULAR ±.5	MFG APPR.			
X. ±1 .X ±.1	Q.A.			
.XX ±.02 .XXX ±.005	PROPRIETARY AND CONFIDENTIAL THE INFORMATION CONTAINED IN THIS DRAWING IS THE SOLE PROPERTY OF RELIABLE HERMETIC SEALS. ANY REPRODUCTION IN PART OR AS A WHOLE WITHOUT THE WRITTEN PERMISSION OF RELIABLE HERMETIC SEALS IS PROHIBITED.		TITLE: CONNECTOR SEAL CCSD15F-S1P1V1V TYPET	
INTERPRET GEOMETRIC TOLERANCING PER:	SIZE	DWG. NO.	REV	
MATERIAL	B	80243	A	
FINISH	SCALE: 1:1	WEIGHT:	SHEET 1 OF 1	
DO NOT SCALE DRAWING				

8 7 6 5 4 3 2 1