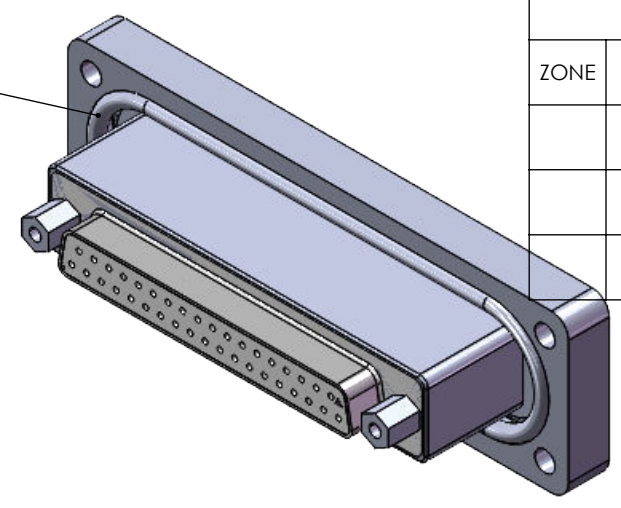


8 7 6 5 4 3 2 1

REVISIONS				
ZONE	REV.	DESCRIPTION	DATE	APPROVED
	A	INITIAL RELEASE	10/24/2014	BS
	B	ADDED EPOXY AND CONNECTOR DETAILS.	20-Jul-20	
	C	REMOVED NOTE 4 FROM PREVIOUS REV.	8/19/2021	

2-140 VITON O-RING



D

D

C

C

B

B

A

A

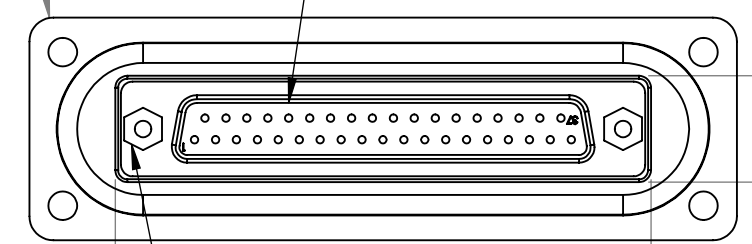
[3.18±0.25]
R.125±.010

37 SOCKET CONNECTOR - MIL-C-24308
SERIES 109 WITH THERMOCOUPLE CONTACTS

304SS FLANGE

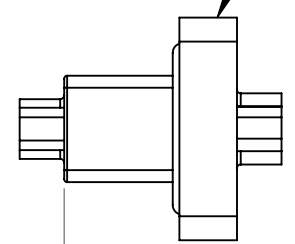
37 PIN CONNECTOR - MIL-C-24308 SERIES
109 WITH THERMOCOUPLE CONTACTS

4x Ø.149 MOUNTING HOLES
FOR 6-32 UN OR 3mm SCREW



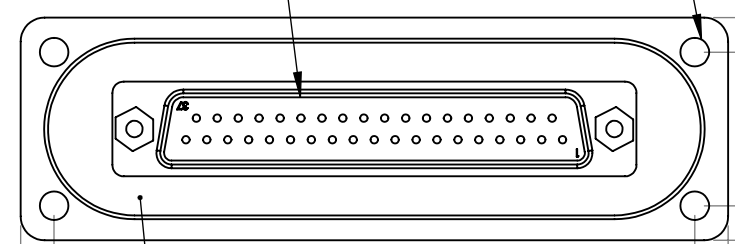
[14.07±0.25]
.55±.01

[70.87±0.25]
2.79±.01



[15.24±0.51]
.60±.02

[7.62±0.25]
.30±.01



[20.32]
.800

[29.46±0.51]
1.16±.02

[84.76]
3.337

[93.60±0.51]
3.69±.02

RHS-0525 EPOXY

4x 4-40 JACKPOST
NICKEL PLATED BRASS

NOTES:

- ODD CIRCUITS 1, 3, 5, ...37 WITH CHROMEL CONTACTS AND WIRE. EVEN CIRCUITS 2, 4, 6, ...36 WITH ALUMEL CONTACTS AND WIRE.
- HELIUM LEAK TEST @ 1 ATM 1X10⁻⁸ STD-CC/SEC OR BETTER, VACUUM ON O-RING SIDE.
- HYPOT 500VDC 500 MEGOHMS .01 SECOND MINIMUM.
- SEAL OPERATING TEMPERATURE -20C TO 130C.
- SEE DRAWING CCSDxxF (37 PIN) FOR BULKHEAD CUTOUT.
- DIMENSIONS ARE INCHES [MILLIMETERS], MILLIMETERS SHOWN FOR REFERENCE ONLY.
- CUSTOM SIZES, WIRE OR FIBER OPTIC CONFIGURATIONS, & TESTS AVAILABLE, PLEASE CONTACT RHS FOR MORE INFORMATION.

UNLESS OTHERWISE SPECIFIED:		NAME	DATE
DIMENSIONS ARE IN INCHES		DRAWN	MM 10/19/14
TOLERANCES:		CHECKED	BS 10/19/14
FRACTIONAL ±1/16		ENG APPR.	MM 10/19/14
ANGULAR ±.5		MFG APPR.	
X. ±1 .X ±.1		Q.A.	
.XX ±.02 .XXX ±.005		PROPRIETARY AND CONFIDENTIAL	
INTERPRET GEOMETRIC TOLERANCING PER:	THE INFORMATION CONTAINED IN THIS DRAWING IS THE SOLE PROPERTY OF RELIABLE HERMETIC SEALS. ANY REPRODUCTION IN PART OR AS A WHOLE WITHOUT THE WRITTEN PERMISSION OF RELIABLE HERMETIC SEALS IS PROHIBITED.		
MATERIAL	SEE ABOVE		
FINISH			
DO NOT SCALE DRAWING			



TITLE: CONNECTOR SEAL CCSD37F-S1P1P1V TYPE K		
SIZE B	DWG. NO. 80087	REV C
SCALE: 1:1	WEIGHT:	SHEET 1 OF 1

8 7 6 5 4 3 2 1