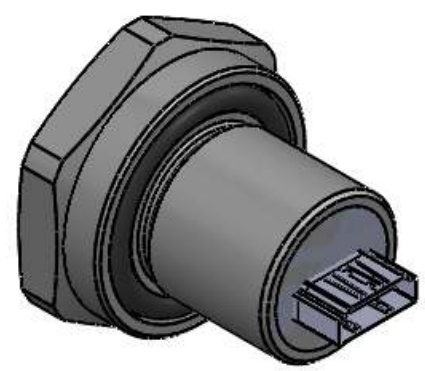
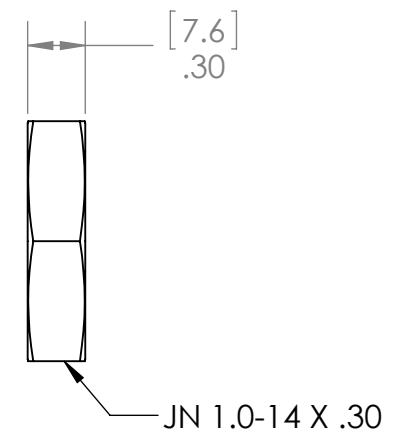
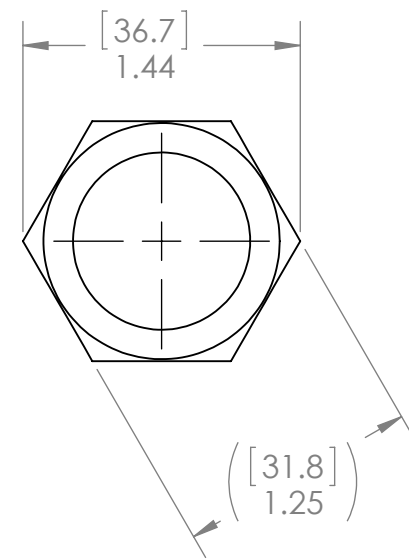
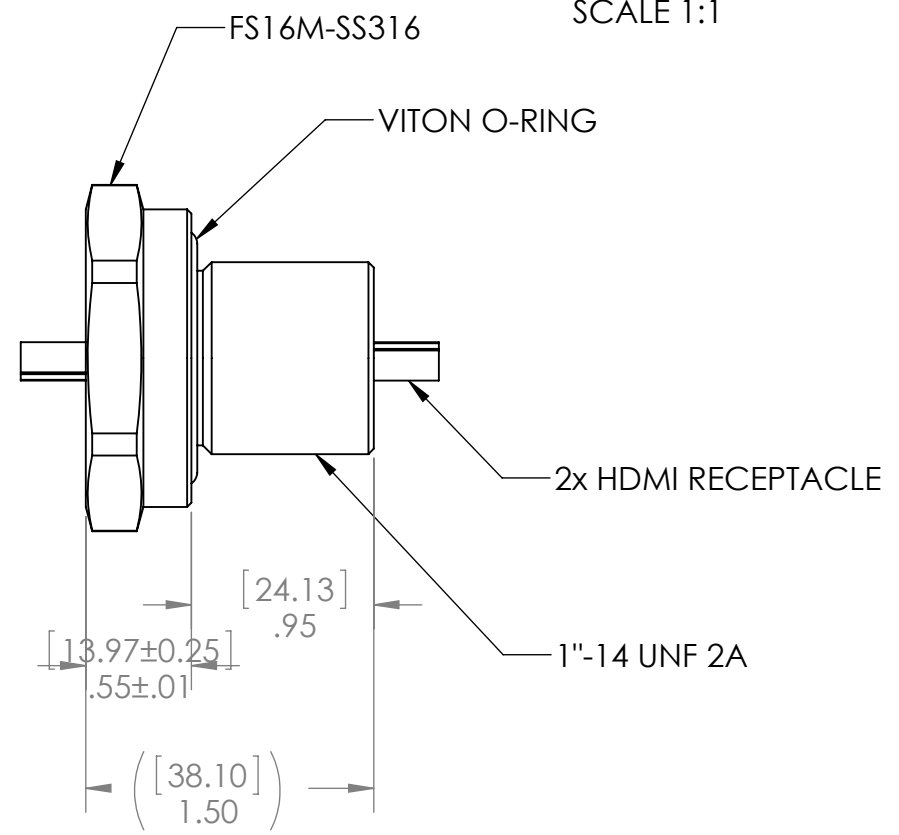
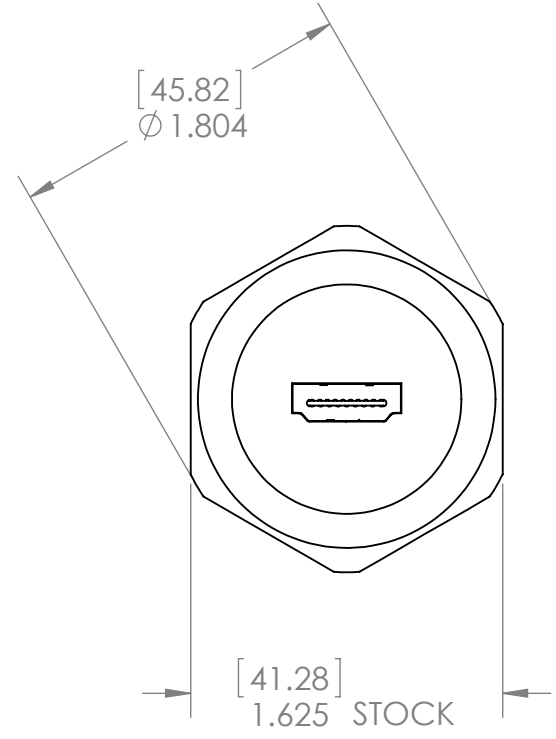


8 7 6 5 4 3 2 1



REVISIONS				
ZONE	REV.	DESCRIPTION	DATE	APPROVED
	A	INITIAL RELEASE	6/25/2013	BS

SCALE 1:1



- NOTES:
1. HELIUM LEAK TEST @ 1 ATM 1X10<sup>-8</sup> STD-CC/SEC OR BETTER, VACUUM ON THREAD SIDE.
  2. HYPOT 500VDC 500 MEGOHMS .01 SECOND MINIMUM.
  3. SHIPPED WITH JAM NUT.
  4. SEAL OPERATING TEMPERATURE -20C TO 130C.
  5. DIMENSIONS ARE INCHES [MILLIMETERS], MILLIMETERS SHOWN FOR REFERENCE ONLY.
  6. CUSTOM SIZES, WIRE OR FIBER OPTIC CONFIGURATIONS, & TESTS AVAILABLE, PLEASE CONTACT RHS FOR MORE INFORMATION.

UNLESS OTHERWISE SPECIFIED:		NAME	DATE
DIMENSIONS ARE IN INCHES		DRAWN	MM 6/25/13
TOLERANCES:		CHECKED	BS 6/25/13
FRACTIONAL ±1/16		ENG APPR.	MM 6/25/13
ANGULAR ±.5		MFG APPR.	
X. ±1 .X ±.1		Q.A.	
.XX ±.02 .XXX ±.005		<b>PROPRIETARY AND CONFIDENTIAL</b>	
INTERPRET GEOMETRIC TOLERANCING PER:	THE INFORMATION CONTAINED IN THIS DRAWING IS THE SOLE PROPERTY OF RELIABLE HERMETIC SEALS. ANY REPRODUCTION IN PART OR AS A WHOLE WITHOUT THE WRITTEN PERMISSION OF RELIABLE HERMETIC SEALS IS PROHIBITED.		
MATERIAL	NOTED		
FINISH			
DO NOT SCALE DRAWING		SIZE	DWG. NO.
		<b>B</b>	80021
		REV	<b>B</b>
		SCALE: 1:1	WEIGHT:
		SHEET 1 OF 1	



TITLE: CONNECTOR SEAL 1 FS16 316SS HDMI FEMALE A-HDMI FEMALE A

8 7 6 5 4 3 2 1