

REVISIONS				
ZONE	REV.	DESCRIPTION	DATE	APPROVED
	A	INITIALRELEASE	12/5/2012	BS

D

D

C

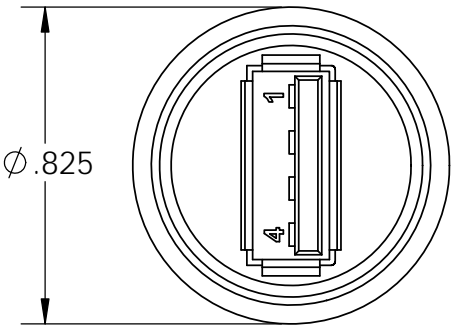
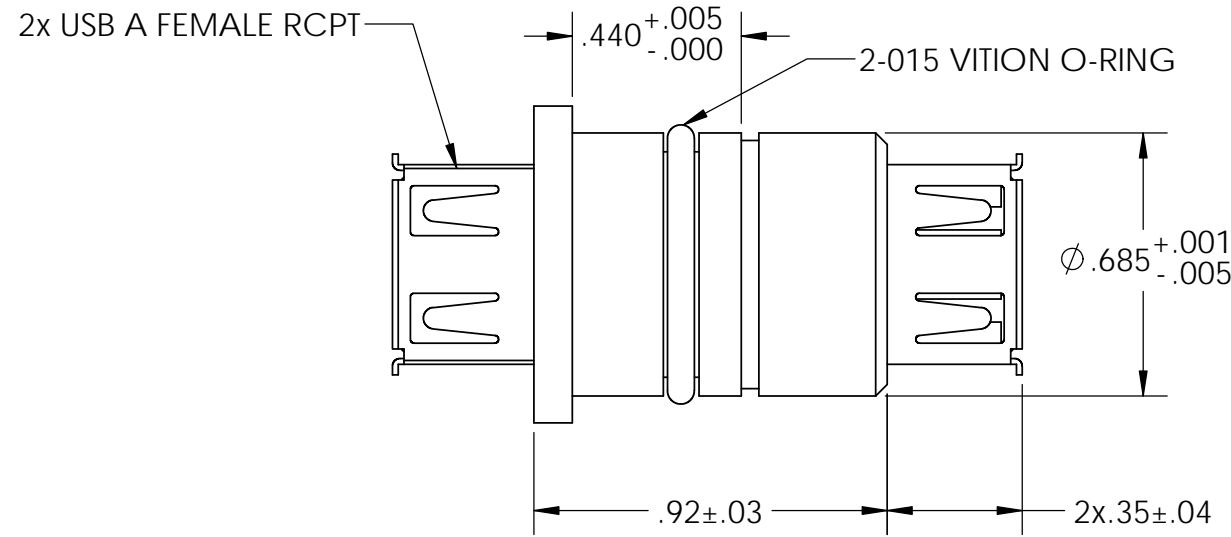
C

B

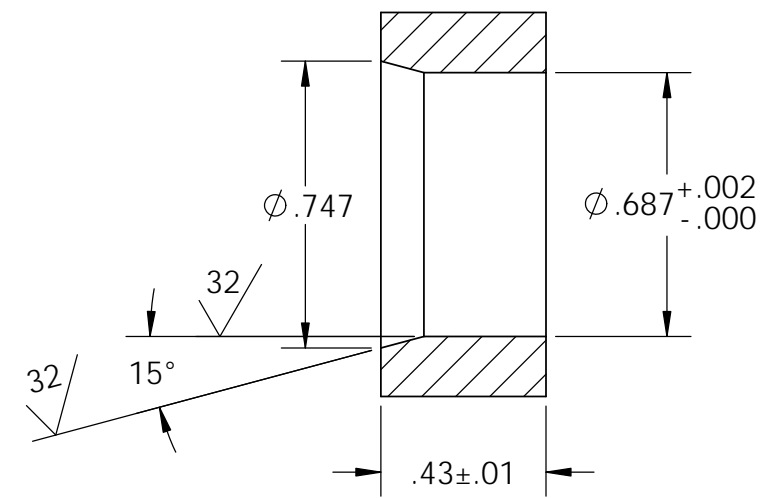
B

A

A



INSTALLATION PORT



- NOTES:
1. HELIUM LEAK TEST @ 1 ATM 1X10⁻⁸ STD-CC/SEC OR BETTER, VACUUM ON RETAINING RING SIDE.
 2. HYPOT 100VDC 100 MEGOHMS .01 SECOND MINIMUM.
 3. ASSEMBLY SUPPLIED WITH Truarc N5100-68 RETAINING RING OR EQUAL.
 4. SEAL OPERATING TEMPERATURE -20C TO 125C (WIRE 80C MAXIMUM).
 5. DIMENSIONS ARE INCHES [MILLIMETERS], MILLIMETERS SHOWN FOR REFERENCE ONLY.
 6. CUSTOM SIZES, WIRE OR FIBER OPTIC CONFIGURATIONS, & TESTS AVAILABLE, PLEASE CONTACT RHS FOR MORE INFORMATION.

UNLESS OTHERWISE SPECIFIED:		NAME	DATE		
DIMENSIONS ARE IN INCHES	DRAWN	MM	12/04/12		
TOLERANCES:	CHECKED	BS	12/04/12		
FRACTIONAL ±1/16	ENG APPR.	MM	12/04/12		
ANGULAR ±.5	MFG APPR.				
X. ±1 .X ±.1	Q.A.			TITLE: CONNECTOR SEAL ESOF-015 USB-USB	
.XX ±.02 .XXX ±.005	PROPRIETARY AND CONFIDENTIAL THE INFORMATION CONTAINED IN THIS DRAWING IS THE SOLE PROPERTY OF RELIABLE HERMETIC SEALS. ANY REPRODUCTION IN PART OR AS A WHOLE WITHOUT THE WRITTEN PERMISSION OF RELIABLE HERMETIC SEALS IS PROHIBITED.		SIZE	DWG. NO.	REV
INTERPRET GEOMETRIC TOLERANCING PER:			B	80023	A
MATERIAL			SCALE: 2:1	WEIGHT:	SHEET 1 OF 1
FINISH					
DO NOT SCALE DRAWING					