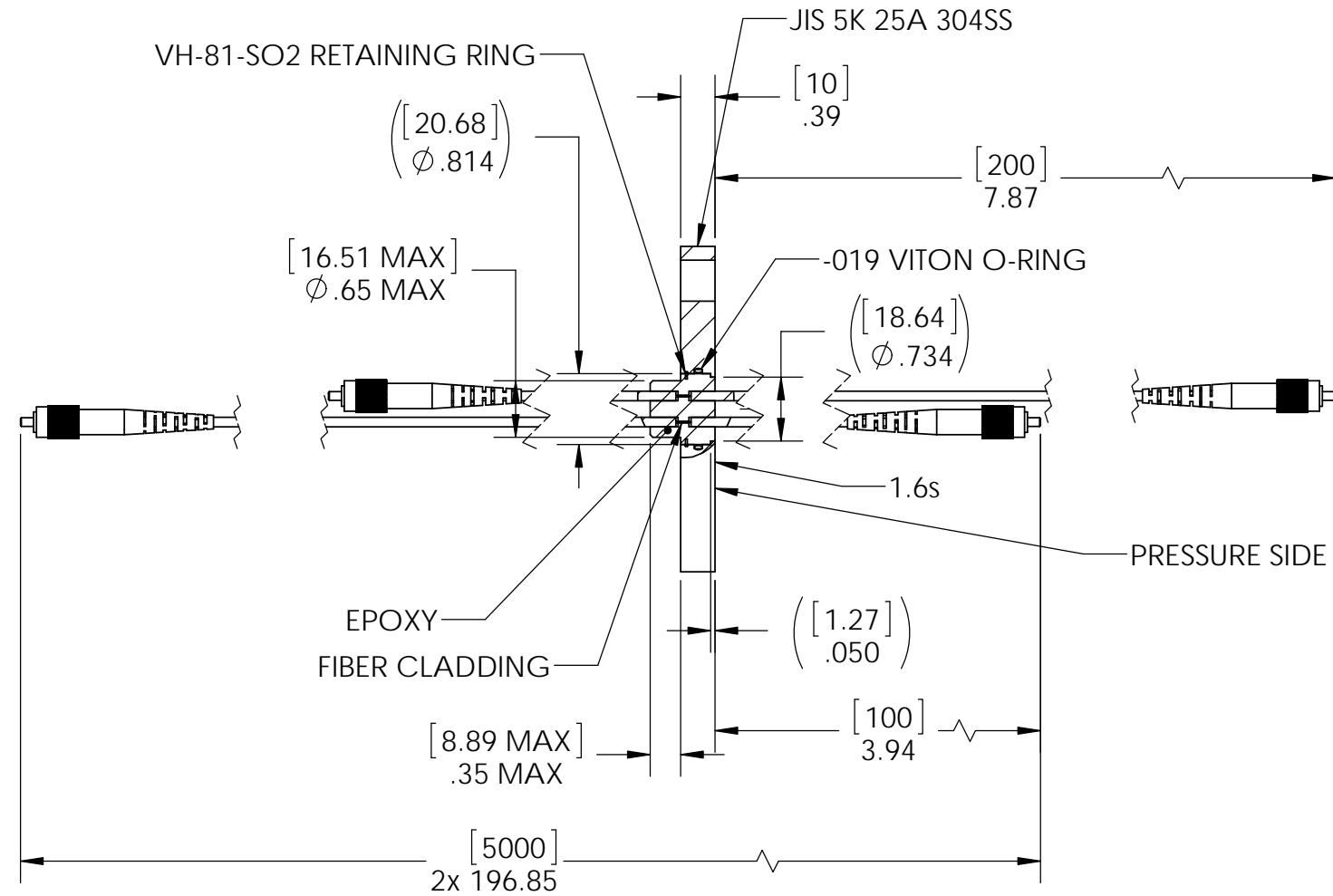
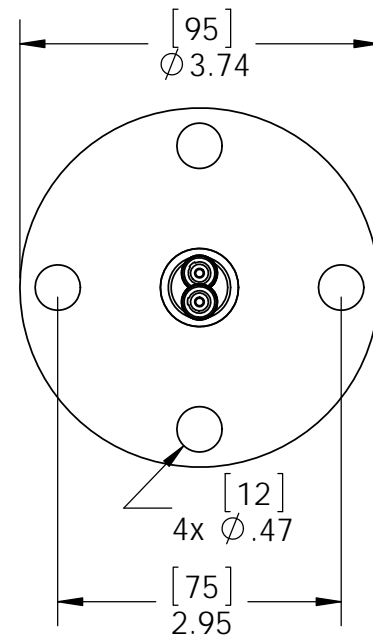


CONFIDENTIAL

REVISIONS				
ZONE	REV.	DESCRIPTION	DATE	APPROVED
	A	INITIAL RELEASE	10/16/2012	BS
	B	ADDED FIBER STRIP	10/17/2012	BS
	C	UPDATED PER CUSTOMER REQUEST	10/18/2012	BS



- NOTES:
- PRESSURE TEST: 172 PSI [1.2 MPa] AIR 10 MINUTES NO BUBBLES.
 - OPTICAL TEST - VISUAL OPTICAL TEST OF FIBER OPTIC.
 - SEAL OPERATING TEMPERATURE -40C TO 125C.
 - DIMENSIONS ARE INCHES [MILLIMETERS], MILLIMETERS SHOWN FOR REFERENCE ONLY.
 - CUSTOM SIZES, WIRE OR FIBER OPTIC CONFIGURATIONS, & TESTS AVAILABLE, PLEASE CONTACT RHS FOR MORE INFORMATION.

UNLESS OTHERWISE SPECIFIED:	NAME	DATE	
DIMENSIONS ARE IN INCHES	DRAWN		
TOLERANCES:	CHECKED	BS 10/16/12	
FRACTIONAL $\pm 1/16$	ENG APPR.		
ANGULAR ± 5	MFG APPR.		
X ± 1 .X ± 1	Q.A.		TITLE:
.XX $\pm .02$.XXX $\pm .005$	PROPRIETARY AND CONFIDENTIAL THE INFORMATION CONTAINED IN THIS DRAWING IS THE SOLE PROPERTY OF RELIABLE HERMETIC SEALS. ANY REPRODUCTION IN PART OR AS A WHOLE WITHOUT THE WRITTEN PERMISSION OF RELIABLE HERMETIC SEALS IS PROHIBITED.		SIZE
INTERPRET GEOMETRIC TOLERANCING PER:			DWG. NO.
MATERIAL			70016
FINISH			REV
DO NOT SCALE DRAWING			C
	SCALE: 1:2	WEIGHT:	SHEET 1 OF 1